



Kitchen space organizers

SALICE

General specifications



The picture shows right hand version.



WIRE PARTS

BOTTOM MATERIAL

PRODUCT DETAILS

CODE = Product code

W = Width

D = Depth

H = Height

Dx = right

Sx = left

Pull-out pivoting shelves with non slip bottom. Non reversible

Part#	Depth	Width	Height
QFLY40DXM20M	13-5/8"	29"	3-3/8"

The catalog part numbers do not specify the finish of the material. Add the desired finish code to the end of the part number when ordering.

Example - QFLY40DXM20M**VCH**

C - Chrome finish/
White melamine

VCH - Champagne finish/
American maple melamine

VG - Gray finish

Available colors:

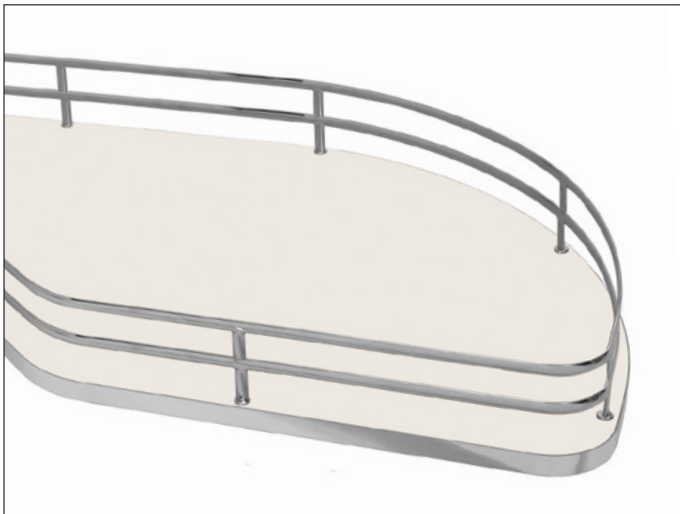
Melamine bottom - American Maple, White or Gray

Steel wire parts - Chrome or Champagne (elliptical shape)



VCH

Champagne finish/American maple melamine



C

Chrome finish/White melamine

CLEANING AND MAINTENANCE INSTRUCTIONS:

Use a clean damp cloth, preferably microfiber (non-abrasive). Dry using a dry microfiber cloth.

Pull-out organizer



Technical Information

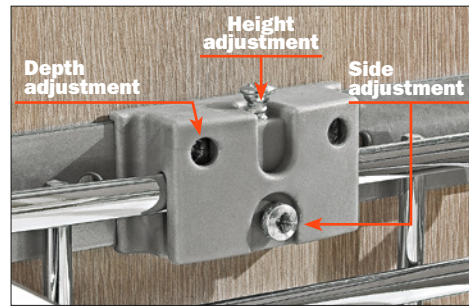
2-tier base organizer, offering easy access, full extension soft close, non slip melamine surface, for frame and frameless cabinets, load capacity 75 lbs (35 kg), 3-way door adjustment, comes fully assembled ready to be installed.

Kit contents: 2-tier base organizer, full extension soft close slide, (2) adjustable door-mounting brackets, snap-on pull-out dividers, assembly instructions and drilling template.

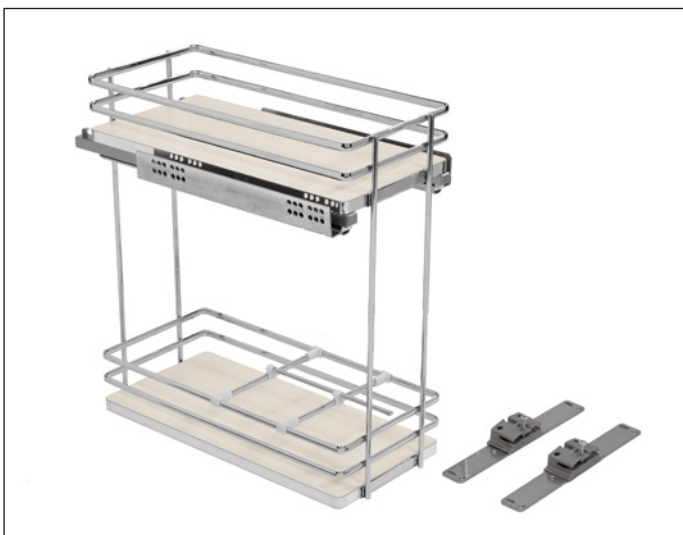
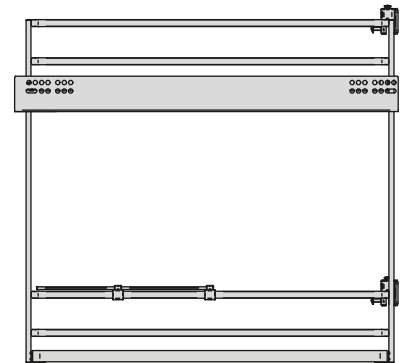
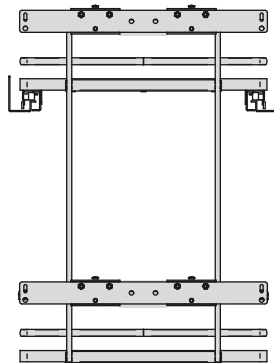
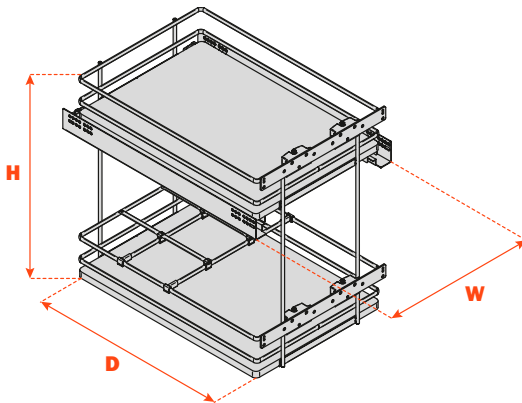
Door-mount bracket

Features:

Patented system; 3 way adjustability for alignment of the door: height (+/- 2 mm), side (+/- 3 mm) and depth (+ 4 mm) adjustments, easy installation with only two screws; suitable for standard style doors and five piece doors as well - Use a #2 pozi driver to adjust.



Technical information



Part#	Depth	Width	Height
QEGTAM12B20M	21-3/8"	12"	20"
QEGTAM15B20M	21-3/8"	15"	20"
QEGTAM18B20M	21-3/8"	18"	20"

Available in:

VCH - Champagne wire/American maple melamine bottom

C - Chrome wire/White melamine bottom

Wire pull out drawers

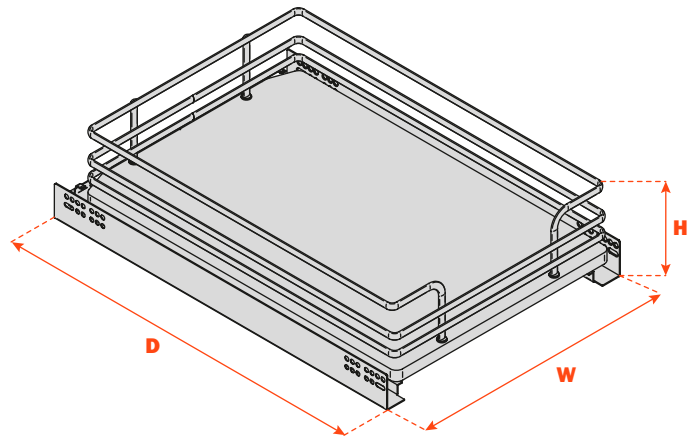
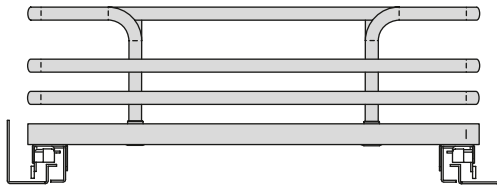


Technical Information

Easy drawer insertion and removal; full extension soft close, non slip melamine surface, for frame and frameless cabinets, load capacity 75 lbs (35 kg). Side and bottom mount.

Kit contents: 1 drawer pull-out unit, Futura full extension soft close slide (533 mm), assembly instructions.

Technical information



Part#	Depth	Width	Height
QCCTAM120M	21-3/8"	12"	5-3/8"
QCCTAM150M	21-3/8"	15"	5-3/8"
QCCTAM180M	21-3/8"	18"	5-3/8"
QCCTAM210M	21-3/8"	21"	5-3/8"

Available in:

VCH - Champagne wire/American maple melamine bottom

C - Chrome wire/White melamine bottom



Bottom mounted spacers and adjustable side mounted spacers for face frame cabinets. The spacers can be used for drawers, pull-outs and trash cans.

Kit Includes: 4 brackets, 2 spacers and attachment screws. (zinc coated)

Part#	Depth	Width	Height
QCCKDA	/	/	/

	Side mount no spacers
	Bottom mount spacers
	Side mount with 1 adjustable spacer minimized
	Side mount with 1 adjustable spacer maximized
	Side mount with 2 adjustable spacer minimized
	Side mount with 2 adjustable spacer maximized



The two parts must be ordered separately.

Technical Information

An innovative and unique space saving corner unit.

The shelves can be pulled-out independently, trays are designed to increase storage surface, height adjustable shaft, easy to install. The mechanism is a patented system and can be easily fixed in on one side of the cabinet, non slip melamine surface, for frame and frameless cabinets, load capacity 44 lbs (20kg) per shelf, minimum door opening 85°, height of the shelf rail 70 mm (2-3/4").

Shelf kit contents: 2 pull-out pivoting shelves; metal plates for connection; assembly instruction.

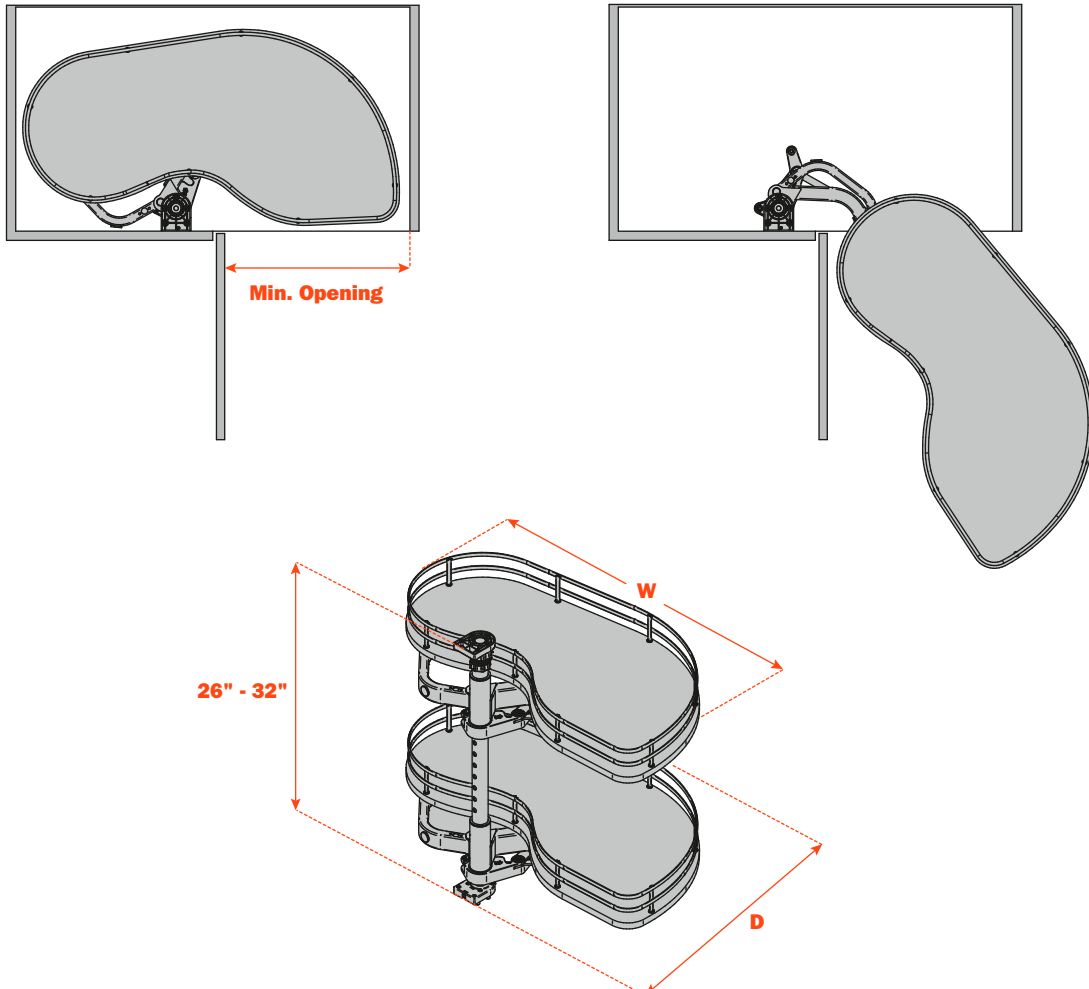
Mechanism kit contents: mechanism with height adjustable shaft; brackets and extension pipe; assembly instruction.

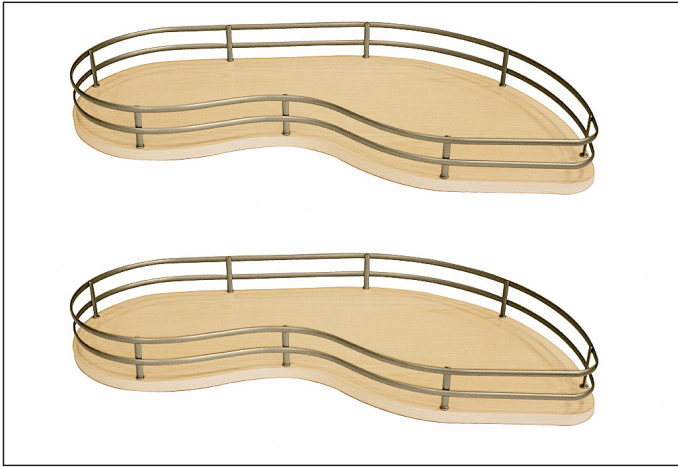
Soft close version available.

The picture shows right hand version.

Technical information

The drawing shows right hand version





2 pull-out pivoting shelves with non slip bottom. Handed (L or R).

Part#	Version	Min. opening	Depth	Width	Height
QFLY40DXM20M	Right	13-5/8"	16-1/32"	29"	3-3/8"
QFLY40SXM20M	Left	13-5/8"	16-1/32"	29"	3-3/8"
QFLY45DXM20M	Right	16"	17-3/8"	32-3/16"	3-3/8"
QFLY45SXM20M	Left	16"	17-3/8"	32-3/16"	3-3/8"
QFLY60DXM20M	Right	21"	18-3/4"	38-7/16"	3-3/8"
QFLY60SXM20M	Left	21"	18-3/4"	38-7/16"	3-3/8"

Available in:

VCH - Champagne wire/American maple melamine bottom

C - Chrome wire/White melamine bottom



Corner mechanism suitable for 13-5/8" - 16" - 21" minimum door opening. Height adjustable from 26" to 32". Non reversible. Extension kit included.

Soft close part #	Standard part #	Version	Min. opening	Height
QFLYASTM2DX	QFLYAST2DX	Right	13-5/8"	26" - 32"
QFLYASTM2SX	QFLYAST2SX	Left	13-5/8"	26" - 32"
QFLYASTM2DX	QFLYAST2DX	Right	16"	26" - 32"
QFLYASTM2SX	QFLYAST2SX	Left	16"	26" - 32"
QFLYASTM602DX	QFLYAST602DX	Right	21"	26" - 32"
QFLYASTM602SX	QFLYAST602SX	Left	21"	26" - 32"

Available in:

VCH - Champagne finish

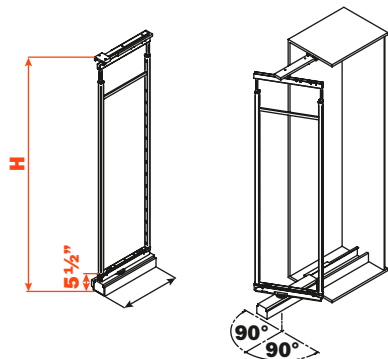
VG - Gray finish

Rotating pantry unit



Frame

Height-adjustable frame, for overlay and inset doors.



Part#	Depth	Width	Full set height: slide + frame	Recommended # of Baskets
QCE1204	19-9/16"	1-3/16"	46-7/32" - 63-17/32"	3
QCE1604	19-9/16"	1-3/16"	61-31/32" - 79-9/32"	4
QCE1904	19-9/16"	1-3/16"	73-25/32" - 91-3/32"	5

Available in:

VCH - Champagne finish

VG - Gray finish



Slide

Full extension pivoting slide with soft close return. 90° rotation of the frame to the right or to the left side. Load capacity 220 lbs (100 kg).

Part#	Depth	Width	Height
QGCFTMR	19-11/16"	/	10-15/32"



Brackets

Adjustable door-mounting bracket, fast application to frame internal holes. For doors over 7' tall we suggest to use 3 door-mounting brackets.

Part#	Depth	Width	Height
QCK130N	1-5/8"	9-7/8"	1-3/16"
QCK140N	1-5/8"	13-13/16"	1-3/16"
QCK145N	1-5/8"	15-3/4"	1-3/16"
QCK160N	1-5/8"	21-5/8"	1-3/16"

Available in:

VCH - Champagne finish

VG - Gray finish

Installation

Min interior depth: 20-3/32"

Min interior opening: door-mounting bracket length +3/8"



Basket

Easy insertion and removal, non slip melamine surface, height adjustable basket assembly.

Part#	Depth	Width	Height
QCC30ASAOM	16-3/16"	9-11/16"	3-11/16"
QCC40ASAOM	16-3/16"	13-5/8"	3-11/16"
QCC45ASAOM	16-3/16"	15-5/8"	3-11/16"
QCC60ASAOM	16-3/16"	21-1/2"	3-11/16"

Available in:

VCH - Champagne finish

C - Chrome finish
White melamine bottom

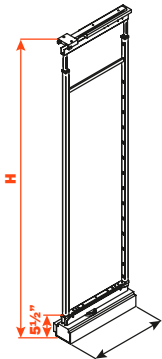
Straight pantry unit



* all parts must be ordered separately.

Frame

Height-adjustable frame, for overlay and inset doors.

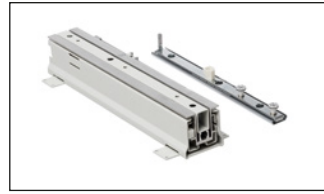


Part#	Depth	Width	Full set height: slide + frame	Recommended # of Baskets
QCE1205	19-9/16"	1-3/16"	41-23/32" - 59-1/16"	3
QCE1605	19-9/16"	1-3/16"	57-15/32" - 74-13/16"	4
QCE1905	19-9/16"	1-3/16"	69-9/32" - 86-5/8"	5

Available in:

VCH - Champagne finish

VG - Gray finish



Slide

Full extension slide with soft close return.
Load capacity 265 lbs (120 kg).

Part#	Depth	Width	Height
QGCFTM/13	18-7/8"	/	5-1/2"



Brackets

Adjustable door-mounting bracket, fast application to frame internal holes.
For doors over 7' tall we suggest to use 3 door-mounting brackets.

Part#	Depth	Width	Height
QCK130N	1-5/8"	9-7/8"	1-13/16"
QCK140N	1-5/8"	13-13/16"	1-13/16"
QCK145N	1-5/8"	15-3/4"	1-13/16"
QCK160N	1-5/8"	21-5/8"	1-13/16"

Available in:

VCH - Champagne finish

VG - Gray finish

Installation

Min interior depth: 19-11/16"

Min interior opening: door-mounting bracket length +3/8"



Basket

Easy insertion and removal, non slip melamine surface, height adjustable basket assembly.

Part#	Depth	Width	Height
QCC30ASAOM	16-3/16"	9-11/16"	3-11/16"
QCC40ASAOM	16-3/16"	13-5/8"	3-11/16"
QCC45ASAOM	16-3/16"	15-5/8"	3-11/16"
QCC60ASAOM	16-3/16"	21-1/2"	3-11/16"

Available in:

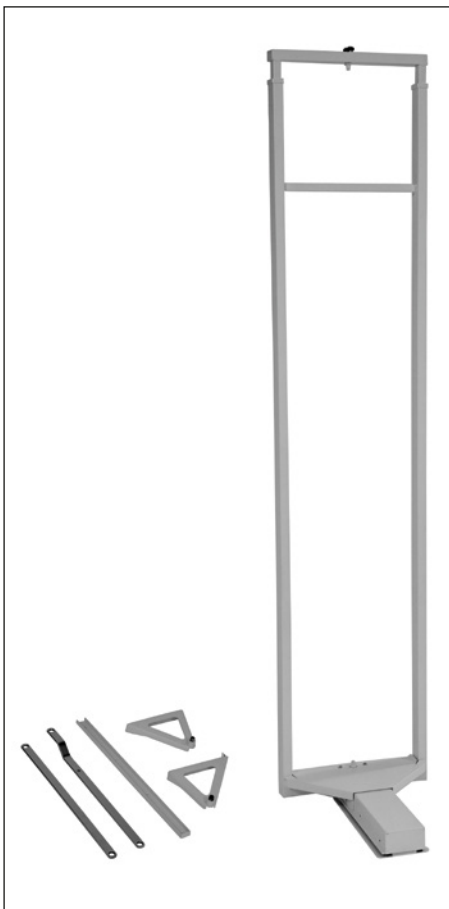
VCH - Champagne finish

C - Chrome finish
White melamine bottom

Max pantry unit



- Integrated system that allows the pullouts to move forward as the door is opened.
- Tall pantry system that allows easy and full access to contents.
- Requires 165° opening hinges.
- For a 16-5/16" or 22-3/16" minimum opening.
- Load capacity 175 lbs (80 kgs).
- Reversible, for left or right hand doors.



Frame

Pull-out frame for maxi-pantry unit.

Minimum cabinet opening 16-5/16" or 22-3/16".

Part#	Min. opening	Depth	Width	Height	Recommended # of baskets
QCEM45B	16-5/16"	18-3/4"	12-7/8"	48-1/32" - 61-13/16"	3
QCEM60B	22-3/16"	18-3/4"	18-3/4"	48-1/32" - 61-13/16"	3

Available in:

VCH - Champagne finish

VG - Gray finish

Part#	Min. opening	Depth	Width	Height	Recommended # of baskets
QCEM45M	16-5/16"	18-3/4"	12-7/8"	61-13/16" - 75-5/8"	4
QCEM60M	22-3/16"	18-3/4"	18-3/4"	61-13/16" - 75-5/8"	4

Available in:

VCH - Champagne finish

VG - Gray finish

Part#	Min. opening	Depth	Width	Height	Recommended # of baskets
QCEM45S	16-5/16"	18-3/4"	12-7/8"	75-5/8" - 85-7/8"	5
QCEM60S	22-3/16"	18-3/4"	18-3/4"	75-5/8" - 85-7/8"	5

Available in:

VCH - Champagne finish

VG - Gray finish





Product features:

- Bottom mount or side mount.
- Full extension (500 mm).
- Soft close.
- Easy installation with only 4 screws.
- The adjustable door mount bracket allows to be used on various door widths; particularly 5-pieces doors.

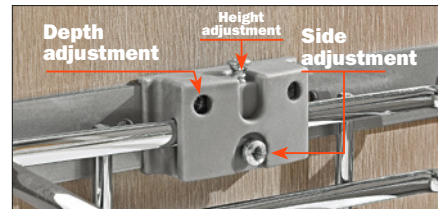
Waste Bins:

- Recyclable, non toxic material.
- Resistant to low & high temperatures.
- Non deformable.
- Integrated handles for easy removal.

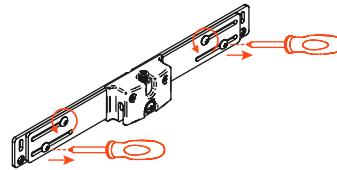
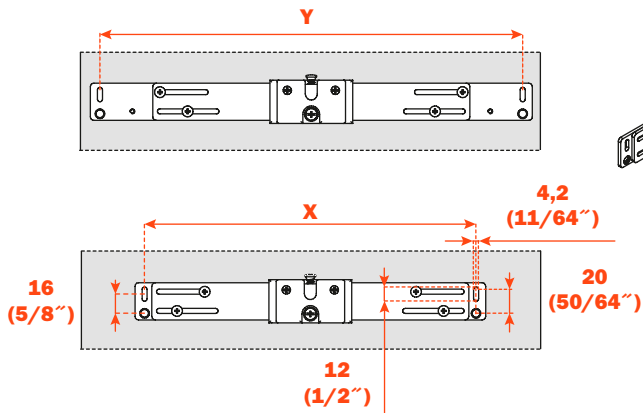
Door-mount bracket

Features:

The adjustable door mount bracket allows to be used on various door widths; particularly 5-pieces doors. Patented system; 3 way adjustability for alignment of the cabinet door: height (+/-2mm), Side (+/-3mm) and depth (+/-4mm), easy installation with only two screws; suitable for standard style doors and five piece doors as well. Use a #2 pozi driver to adjust.

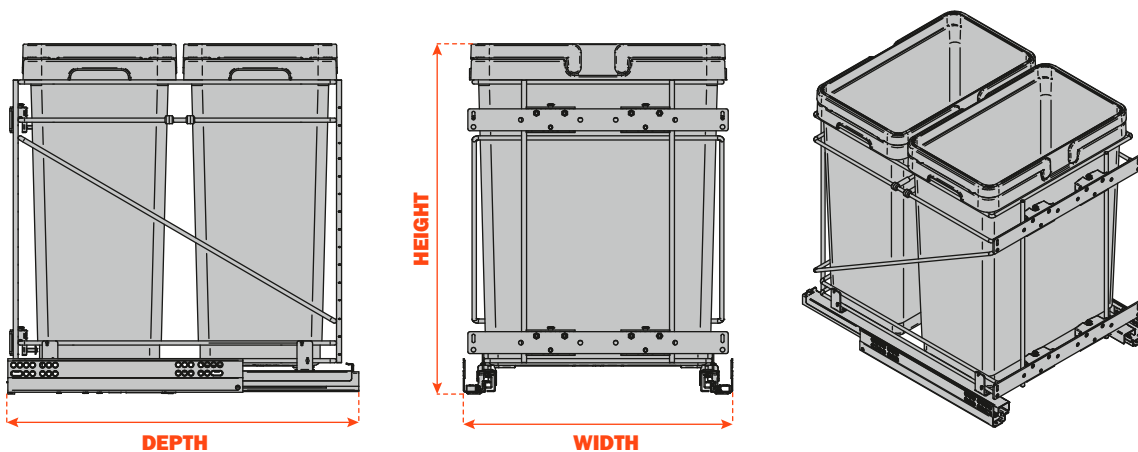


Adjustable for various width doors:



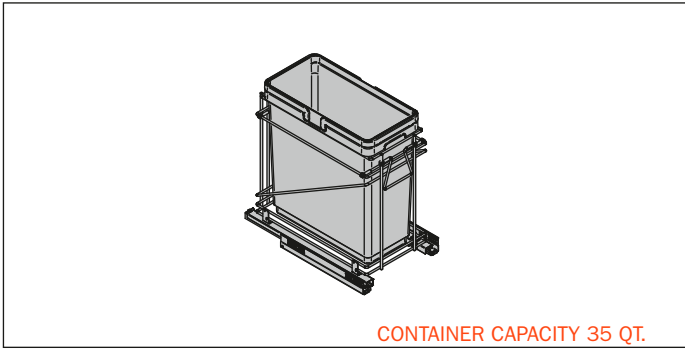
Mod.	X	Y
QPAM12135CR	10-7/8"	13-7/8"
QPAM15228CR	13-7/8"	16-7/8"
QPAM18228CR	16-7/8"	19-7/8"
QPAM21235CR	19-27/32"	22-27/32"

Technical information



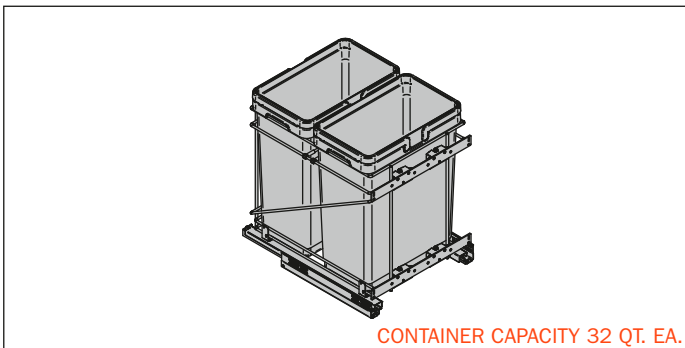
Waste recycle pullouts





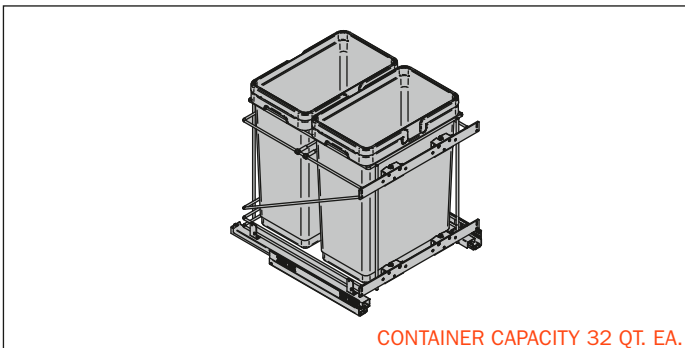
12" Base pull-out waste bins. The adjustable door mount bracket allows to be used on various door widths; particularly 5-pieces doors. Soft close, wire bottom, full extension (500mm). Handle and door brackets included. One 35 Qt. plastic bin. The waste bins are equipped with handles to easily keep your trash bag inside and lift cans up. Bottom mount.

Part#	Depth	Width	Height
QPAM12135CR	19-5/8"	12"	19-1/2"



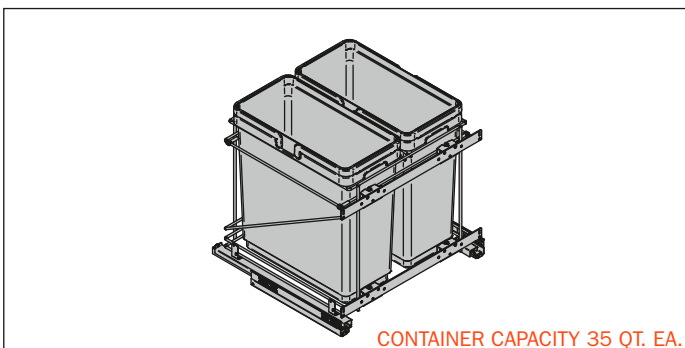
15" Base pull-out waste bins. The adjustable door mount bracket allows to be used on various door widths; particularly 5-pieces doors. Soft close, wire bottom, full extension (500mm). Handle and door brackets included. Two 32 Qt. plastic bins. The waste bins are equipped with handles to easily keep your trash bag inside and lift cans up. Bottom mount.

Part#	Depth	Width	Height
QPAM15228CR	19-5/8"	15"	19-1/2"



18" Base pull-out waste bins. The adjustable door mount bracket allows to be used on various door widths; particularly 5-pieces doors. Soft close, wire bottom, full extension (500mm). Handle and door brackets included. Two 32 Qt. plastic bins. The waste bins are equipped with handles to easily keep your trash bag inside and lift cans up. Bottom mount.

Part#	Depth	Width	Height
QPAM18228CR	19-5/8"	18"	19-1/2"



21" Base pull-out waste bins. The adjustable door mount bracket allows to be used on various door widths; particularly 5-pieces doors. Soft close, wire bottom, full extension (500mm). Handle and door brackets included. Two 35 Qt. plastic bins. The waste bins are equipped with handles to easily keep your trash bag inside and lift cans up. Bottom mount.

Part#	Depth	Width	Height
QPAM21235CR	19-5/8"	21"	19-1/2"

Single 50qt waste recycle pullout



Product features:

- Adjustable door mount bracket.
- Bottom mounted.
- Full extension.
- Soft close.
- Door mount brackets included in the kit.
- Load capacity: 100 lbs.
- One 50 qt and one 11 qt plastic bins.
- Dimension: 22" D x 11-1/2" W x 24-1/16" H.

Waste Bins:

- Recyclable, non toxic material.
- Resistant to low & high temperatures.
- Non deformable.
- Integrated handles for easy removal.
- Lid available (sold separately).



Large load capacity bin. Full extension slides with over-travel functionality for easy access to the waste containers. The adjustable door mount bracket allows to be used on various door widths; particularly 5-pieces doors. Easy installation: pre-mounted on a specially designed metal frame.

Part#	Depth	Width	Height
QPAM12150CR	22"	11-1/2"	24-1/16"

Double 50qt waste recycle pullout



Product features:

- Adjustable door mount bracket.
- Bottom mounted.
- Full extension.
- Soft close.
- Door mount brackets included in the kit.
- Load capacity: 100 lbs.
- Two 50 qt plastic bins.
- Dimension: 22" D x 14-1/2" W x 24-1/16" H.

Waste Bins:

- Recyclable, non toxic material.
- Resistant to low & high temperatures.
- Non deformable.
- Integrated plastic handles for easy removal.
- Lid available (sold separately).



Large load capacity bins. Full extension slides with over-travel functionality for easy access to the waste containers.

The adjustable door mount bracket allows to be used on various door widths; particularly 5-pieces doors.

Easy installation: pre-mounted on a specially designed metal frame.

Part#	Depth	Width	Height
QPAM15250CR	22"	14-1/2"	24-1/16"

Under the sink pullouts

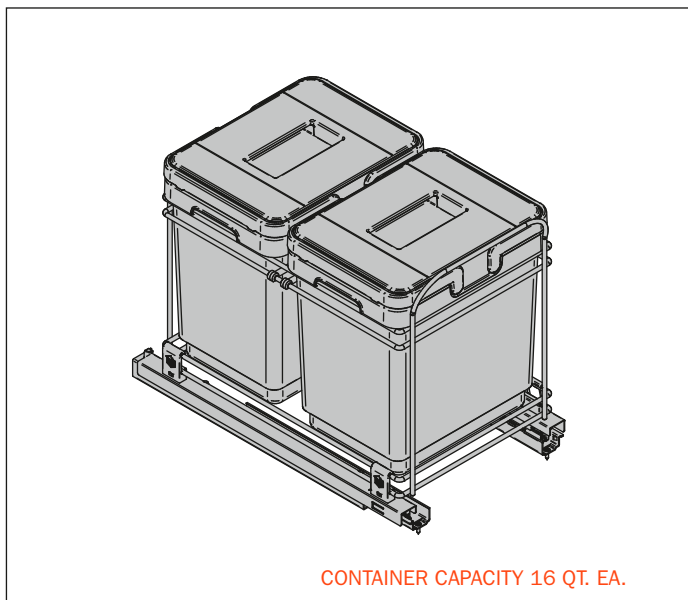


Product features:

- Bottom mount.
- Full extension.
- Soft close.
- Easy installation with only 4 wood screws.
- Integrated handle.

Waste Bins:

- Recyclable, non toxic material.
- Resistant to low & high temperatures.
- Non deformable.
- Integrated handles for easy removal.



12" Under the sink waste bins. Soft close, wire bottom, full extension. Handle included. Two 16 Qt. plastic bins with lids. The waste bins are equipped with handles to easily keep your trash bag inside and lift cans up. Bottom mount.

Part#	Depth	Width	Height
QPETAM332MC	19-5/8"	11- 3/4"	14-1/2"

Note: Front handle height 15-1/16"



Product features:

- Bottom mounted or side mounted.
- Full extension.
- Soft close.
- Easy installation with only 4 screws.
- Clip on handle included in the kit.
- Load capacity: 75 lbs.
- One 32 qt and rear basket for small storage.
- Dimension: 17-11/16" D x 15" W x 19-1/2" H.

Waste Bins:

- Recyclable, non toxic material.
- Resistant to low & high temperatures.
- Non deformable.
- Integrated handles for easy removal.
- Charcoal lid available (sold separately).



CONTAINER CAPACITY 32 QT.

Designed for 15" base cabinet with hinged door. Ideal for under sink kitchen and vanity cabinetry. Good for remodeling and upgrading cabinets.

Part#	Depth	Width	Height
QPAMS15130C	17-11/16"	15"	19-1/2"

SALICE AMERICA INC.

2123 CROWN CENTRE DRIVE
CHARLOTTE, NC 28227
TEL: 1.800.222.9652
TEL: 704.841.7810
FAX: 704.841.7808
info.salice@saliceamerica.com
www.saliceamerica.com



Digital content:

- **PDF brochure**

We reserve the right to change the technical specifications.